

Service Manual / Manuel de Service

17" Wood Bandsaw with Resaw Guide

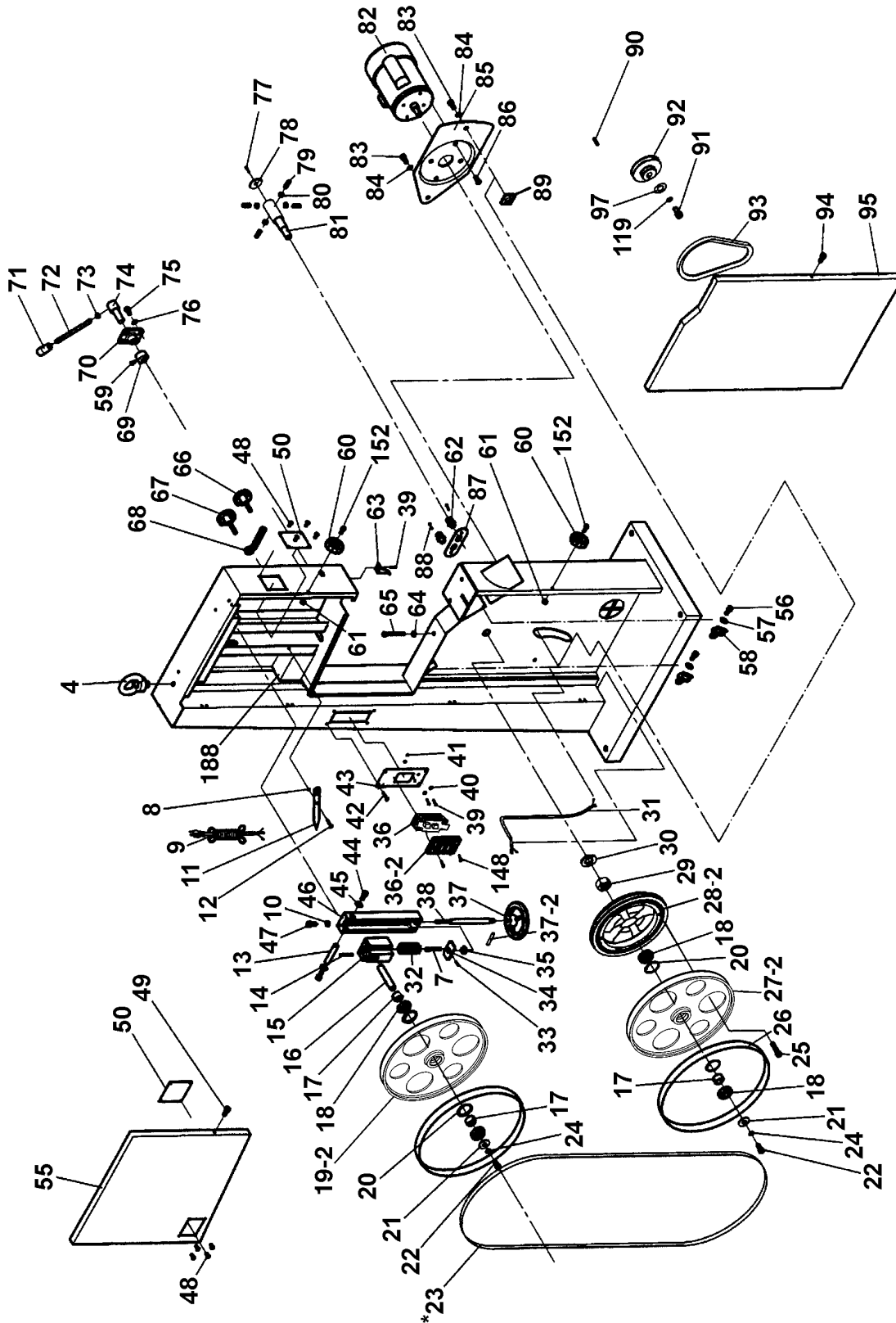
Scie à Ruban de 17" pour le Bois avec Guide à Dédoublage



Revised/Revisé 08/2008

Main Diagram / Diagramme Principale

KC-1702FXR



Service Manual / Manuel de Service

17" Wood Bandsaw with Resaw Guide

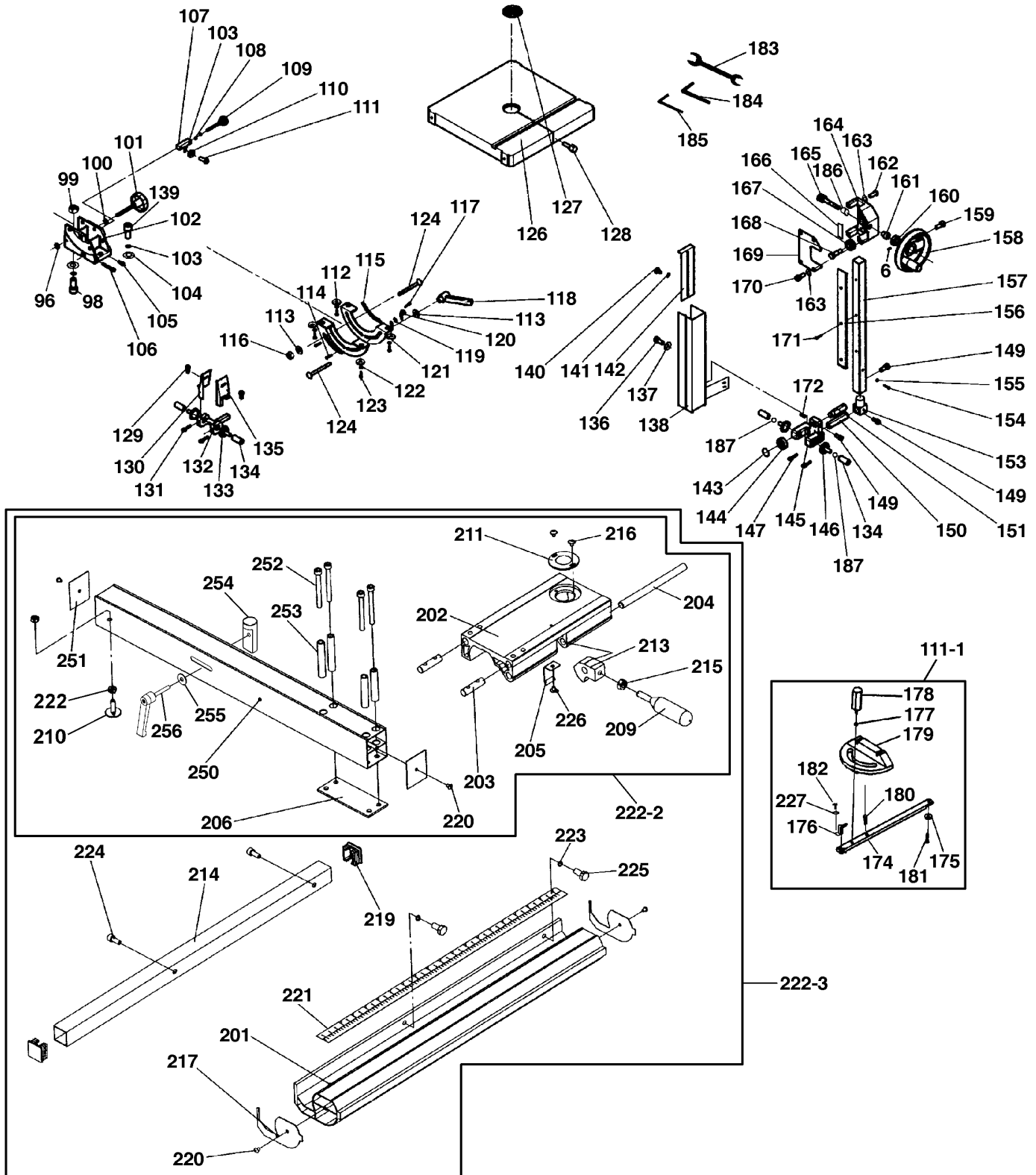
Scie à Ruban de 17" pour le Bois avec Guide à Dédoublage



Revised/Revisé 08/2008

Table & Fence Diagram / Diagramme de la Table et du Guide

KC-1702FXR





® Parts Pricing List / Liste de Prix des Pièces **KC-1702FXR**

Diag.	Order # Com.	English Description	Description Française	Qty./Qté.	Price/Prix
4	1317020040	LIFTING HOOK	CROCHET DE LEVAGE	1	\$6.73
6	1317020060	SET SCREW	VIS SANS TETE	1	\$1.55
7	1317020070	BUSHING	BAGUE	1	\$4.43
8	1317020080	WASHER	RONDELLE	1	\$1.55
9	1317020090	POWER CORD	CORDON D'ALIMENTATION	1	\$32.03
10	1317020100	HEX. NUT	ECROU HEXAGONAL	1	\$1.61
11	1317020110	POINTER	INDICATEUR	1	\$3.85
12	1317020120	SHOULDER SCREW	VIS A EPAULEMENT	1	\$2.59
13	1317020130	UPPER SHAFT	TIGE SUPERIEURE	1	\$6.04
14	1317020140	SPRING PIN	GOUPILLE A RESSORT	1	\$1.67
15	1317020150	UPPER WHEEL SHAFT HINGE	CHARNIERE DE LA TIGE	1	\$20.53
16	1317020160	UPPER WHEEL SHAFT	TIGE DE LA ROUE	1	\$9.60
17	1317020170	BUSHING	BAGUE D'ESPACEMENT	3	\$4.89
18	1317020180	BALL BEARING	ROULEMENT A BILLES	4	\$22.94
19	1317020190	UPPER WHEEL	ROUE DU HAUT	1	\$107.81
19-2	1317020192	CAST IRON UPPER WHEEL	ROUE DU HAUT EN FONTE D'ACIER	1	\$143.69
20	1317020200	RETAINING RING/BORE	ANNEAU DE RETENU/ALESAGE	4	\$3.16
21	1317020210	WASHER	RONDELLE	2	\$2.13
22	1317020220	CAP SCREW	BOULON A TETE CYLINDRIQUE	2	\$1.73
23	KBB-17**	BLADE	LAME	1	-
24	1317020240	SPRING WASHER	RONDELLE A RESSORT	2	\$1.67
25	1317020250	CAP SCREW	BOULON A TETE CYLINDRIQUE	6	\$2.76
26	1317020260	WHEEL PROTECTOR	PROTECTEUR DE ROUE	2	\$22.94
27	1317020270	LOWER WHEEL	ROUE DU BAS	1	\$114.60
27-2	1317020272	CAST IRON LOWER WHEEL	ROUE DU BAS EN FONTE D'ACIER	1	\$143.69
28-2	1317020282	CAST IRON IDLE PULLEY	POULIE DE LA ROUE EN FONTE D'ACIER	1	\$80.44
29	1317020290	HEX. NUT	ECROU HEXAGONAL	1	\$5.58
30	1317020300	SPRING WASHER	RONDELLE A RESSORT	1	\$2.70
31	1317020310	MOTOR CORD	CORDON DU MOTEUR	1	\$13.28
32	1317020320	SPRING	RESSORT	1	\$9.83
33	1317020330	SPRING PIN	GOUPILLE A RESSORT	1	\$2.01
34	1317020340	LOCATE BLOCK	PLAQUE DE LOCALISATION	1	\$4.43
35	1317020350	THRUST BEARING	ROULEMENT A BUTEE	1	\$22.83
36	1317020360	LRG BUTTON START-STOP SWITCH	INTERRUPTEUR A BOUTON LARGE	1	\$34.44
36-2	1317020362	SQ. BUTTON (LRG) SWITCH COVER	PLAQUE D'INTERR./BOUTON CAR. (LRG)	1	\$18.34
37	1317020370	TENSION HANDWHEEL	MANIVELLE DE TENSION	1	\$21.79
37-2	1317020372	SET SCREW	VIS SANS TETE	1	\$1.55
38	1317020380	ADJUSTING BOLT	BOULON D'AJUSTEMENT	1	\$25.13
39	1317020390	FLANGE HD SCREW	VIS A TETE BRIDEE	3	\$1.67
40	1317020400	TOOTH WASHER	RONDELLE DENTELEE	4	\$1.67
41	1317020410	HEX. NUT	ECROU HEXAGONAL	2	\$1.55
42	1317020420	FLANGE HD SCREW	VIS A TETE BRIDEE	4	\$1.67
43	1317020430	METAL SWITCH PLATE	PLAQUE EN METAL POUR L'INTERR.	1	\$6.73
44	1317020440	CAP SCREW	BOULON A TETE CYLINDRIQUE	2	\$1.78
45	1317020450	WASHER	RONDELLE	2	\$1.61
46	1317020460	UPPER WHEEL SLIDING BRACKET	SUPPORT COULISSANT POUR ROUE	1	\$27.54
47	1317020470	CAP SCREW	BOULON A TETE CYLINDRIQUE	1	\$2.76

Pricing subject to change without prior notice. / Prix sujet à changement sans préavis.



® Parts Pricing List / Liste de Prix des Pièces **KC-1702FXR**

Diag.	Order # Com.	English Description	Description Française	Qty./Qté.	Price/Prix
48	1317020480	RIVET	RIVET	8	\$1.55
49	1317020490	CAP SCREW	BOULON A TETE CYLINDRIQUE	1	\$2.24
50	1317020500	TENSION WINDOW	FENETRE DE VISUALISATION/TENSION	2	\$3.85
55	1317020550	UPPER WHEEL DOOR	PORTE DU HAUT	1	\$86.25
56	1317020560	CAP SCREW	BOULON A TETE CYLINDRIQUE	2	\$2.70
57	1317020570	WASHER	RONDELLE	2	\$1.55
58	1317020580	BRUSH	BROSSE	2	\$5.58
59	1317020590	CAP SCREW	BOULON A TETE CYLINDRIQUE	1	\$2.70
60	1317020600	LOCK DOOR KNOB	BOUTON DE VERROUILLAGE/ PORTE	2	\$4.43
61	1317020610	NYLON HEX. NUT	ECROU HEXAGONAL AVEC NYLON	2	\$2.13
62	1317020620	STRAIN RELIEF (16MM HOLE)	ATTACHE CORDON (TROU 16MM)	2	\$2.59
63	1317020630	HEIGHT POINTER	INDICATEUR DE HAUTEUR	1	\$2.82
64	1317020640	HEX. NUT	ECROU HEXAGONAL	1	\$1.61
65	1317020650	HEX. BOLT	BOULON HEXAGONAL	1	\$3.74
66	1317020660	SCREW KNOB	BOUTON DE SERRAGE	1	\$4.31
67	1317020670	SCREW KNOB	BOUTON DE SERRAGE	1	\$5.00
68	1317020680	LOCK HANDLE	POIGNEE DE VERROUILLAGE	1	\$4.54
69	1317020690	CAM	CAME	1	\$5.69
70	1317020700	HOLDER BRACKET	SUPPORT DE RETENUE	1	\$21.68
71	1317020710	LEVER ROD KNOB	BOUTON DU LEVIER	1	\$4.54
72	1317020720	LEVER ROD	TIGE DE LEVIER	1	\$4.43
73	1317020730	HEX. NUT	ECROU HEXAGONAL	1	\$1.78
74	1317020740	SHAFT	TIGE	1	\$15.93
75	1317020750	PAN HD ALLEN SCREW	VIS TETE BOMBEE A DOUILLE HEX.	4	\$2.13
76	1317020760	SPRING WASHER	RONDELLE A RESSORT	4	\$1.67
77	1317020770	FLANGE HD SCREW	VIS A TETE BRIDEE	1	\$1.67
78	1317020780	LARGE WASHER	RONDELLE LARGE	1	\$3.05
79	1317020790	SET SCREW	VIS SANS TETE	4	\$2.01
80	1317020800	HEX. NUT	ECROU HEXAGONAL	4	\$1.61
81	1317020810	LOWER WHEEL SHAFT	TIGE DE LA ROUE DU BAS	1	\$38.93
82	1317020820	MOTOR	MOTEUR	1	\$401.35
83	1317020830	CAP SCREW	BOULON A TETE CYLINDRIQUE	2	\$1.96
84	1317020840	SPRING WASHER	RONDELLE A RESSORT	2	\$1.55
85	1317020850	MOTOR BRACKET	SUPPORT DU MOTEUR	1	\$32.95
86	1317020860	PAN HD ALLEN SCREW	VIS TETE BOMBEE A DOUILLE HEX.	4	\$2.13
87	1317020870	ELECTRICAL PLATE	PLAQUE ELECTRIQUE	1	\$3.28
88	1317020880	FLANGE HD SCREW	VIS A TETE BRIDEE	2	\$1.67
89	1317020890	ADJUSTING BRACKET	SUPPORT POUR AJUSTEMENT	1	\$3.28
90	1317020900	KEY	CLE DE RETENUE	1	\$2.24
91	1317020910	HEX. BOLT (LEFT)	BOULON HEXAGONAL (GAUCHE)	1	\$2.70
92	1317020920	MOTOR PULLEY	POULIE DU MOTEUR	1	\$22.83
93	1317020930	V-BELT	COURROIE EN "V"	1	\$14.89
94	1317020940	CAP SCREW	BOULON A TETE CYLINDRIQUE	1	\$2.24
95	1317020950	LOWER WHEEL DOOR	COUVERCLE DU BAS	1	\$112.70
96	1317020960	NYLON HEX. NUT	ECROU HEXAGONAL AVEC NYLON	1	\$1.67
97	1317020970	SPECIAL FLAT WASHER	RONDELLE SPECIALE	1	\$2.13
98	1317020980	CAP SCREW	BOULON A TETE CYLINDRIQUE	1	\$2.24

Pricing subject to change without prior notice. / Prix sujet à changement sans préavis.



Parts Pricing List / Liste de Prix des Pièces **KC-1702FXR**

Diag.	Order # Com.	English Description	Description Française	Qty./Qté.	Price/Prix
99	1317020990	HEX. NUT	ECROU HEXAGONAL	1	\$1.73
100	1317021000	GEAR (SMALL)	ENGRENAGE (PETITE)	2	\$4.43
101	1317021010	LOCK KNOB	BOUTON DE VERROUILLAGE	1	\$10.75
102	1317021020	TRUNNION SUPPORT BRACKET	SUPPORT DU TOURILLON	1	\$33.75
103	1317021030	SPRING WASHER	RONDELLE A RESSORT	3	\$1.55
104	1317021040	WASHER	RONDELLE	2	\$1.55
105	1317021050	CAP SCREW	BOULON A TETE CYLINDRIQUE	1	\$2.47
106	1317021060	CAP SCREW	BOULON A TETE CYLINDRIQUE	1	\$3.05
107	1317021070	ADJUSTING BRACKET	SUPPORT D'AJUSTEMENT	1	\$6.84
108	1317021080	HEX. NUT	ECROU HEXAGONAL	2	\$1.61
109	1317021090	ADJUSTING BOLT	BOULON D'AJUSTEMENT	1	\$3.74
110	1317021100	BALL BEARING	ROULEMENT A BILLES	1	\$12.59
111	1317021110	PAN HD ALLEN SCREW	VIS TETE BOMBEE A DOUILLE HEX.	1	\$2.47
111-1	1317021111	COMPLETE MITER GAUGE ASS'Y	GUIDE A ONGLETS COMPLET ASS.	1	\$41.34
112	1317021120	WASHER	RONDELLE	4	\$1.61
113	1317021130	WASHER	RONDELLE	2	\$1.61
114	1317021140	PAN HD SCREW	VIS A TETE BOMBEE	4	\$1.55
115	1317021150	GEAR PLATE	ENGRENAGE PLAT	2	\$5.58
116	1317021160	NYLON HEX. NUT	ECROU HEXAGONAL AVEC NYLON	1	\$1.67
117	1317021170	PAN HD SCREW	VIS A TETE BOMBEE	1	\$1.55
118	1317021180	HANDLE	POIGNEE	1	\$9.60
119	1317021190	WASHER	RONDELLE	2	\$1.55
120	1317021200	POINTER	INDICATEUR	1	\$2.01
121	1317021210	TRUNNION PLATE	TOURILLON	2	\$10.75
122	1317021220	SPRING WASHER	RONDELLE A RESSORT	4	\$1.67
123	1317021230	HEX. BOLT	BOULON HEXAGONAL	4	\$1.67
124	1317021240	CARRIAGE BOLT	BOULON A CARROSSERIE	2	\$2.82
126	1317021260	TABLE	TABLE	1	\$251.85
127	1317021270	TABLE INSERT	INSERTION DE TABLE	1	\$4.20
128	1317021280	TABLE PIN	GOUPILLE DE LA TABLE	1	\$3.85
129	1317021290	CAP SCREW	BOULON A TETE CYLINDRIQUE	2	\$1.67
130	1317021300	LEFT COVER	COUVERCLE GAUCHE	1	\$4.31
131	1317021310	THUMB SCREW	VIS PAPILLON	4	\$2.70
132	1317021320	LOWER BLADE GUIDE SUPPORT	SUPPORT DE GUIDE DE LAME (BAS)	1	\$10.75
133	1317021330	BLADE GUIDE	GUIDE DE LAME	2	\$4.20
134	1317021340	BLADE GUIDE BUSHING	BAGUE DU GUIDE DE LAME	4	\$4.54
135	1317021350	RIGHT COVER	COUVERCLE DROIT	1	\$4.31
136	1317021360	CAP SCREW	BOULON A TETE CYLINDRIQUE	2	\$1.78
137	1317021370	WASHER	RONDELLE	2	\$1.55
138	1317021380	PROTECT COVER	COUVERCLE DE SECURITE	1	\$36.74
139	1317021390	CAP SCREW	BOULON A TETE CYLINDRIQUE	1	\$2.24
140	1317021400	SHOULDER SCREW	VIS AVEC EPAULEMENT	1	\$2.59
141	1317021410	NYLON WASHER	RONDELLE EN NYLON	1	\$1.55
142	1317021420	SLIDING PLATE	PLAQUE DE COULISSEMENT	1	\$7.76
143	1317021430	RETAINING RING/SHAFT	ANNEAU DE RETENU/TIGES	1	\$1.55
144	1317021440	BALL BEARING	ROULEMENT A BILLES	1	\$11.44
145	1317021450	UPPER BLADE GUIDE SUPPORT	SUPPORT DE GUIDE DE LAME (HAUT)	1	\$16.04

Pricing subject to change without prior notice. / Prix sujet à changement sans préavis.



Parts Pricing List / Liste de Prix des Pièces **KC-1702FXR**

Diag.	Order # Com.	English Description	Description Française	Qty./Qté.	Price/Prix
146	1317021460	BLADE GUIDE	GUIDE DE LAME	2	\$4.20
147	1317021470	THUMB SCREW	VIS A PAPILLON	2	\$2.70
148	1317021480	PAN HD SCREW	VIS A TETE BOMBEE	2	\$1.67
149	1317021490	CAP SCREW	BOULON A TETE CYLINDRIQUE	3	\$2.24
150	1317021500	ADJUSTING BAR	BARRE D'AJUSTEMENT	1	\$4.89
151	1317021510	UPPER SPACING SLEEVE	MANCHON D'ESPACEMENT	1	\$5.35
152	1317021520	CAP SCREW	BOULON A TETE CYLINDRIQUE	2	\$2.47
153	1317021530	UPPER GUIDE SUPPORT BLOCK	BLOC SUPPORT DU GUIDE	1	\$11.21
154	1317021540	PAN HD SCREW	VIS A TETE BOMBEE	1	\$1.55
155	1317021550	HEX. NUT	ECROU HEXAGONAL	1	\$1.55
156	1317021560	RACK	CREMAILLIERE	1	\$15.93
157	1317021570	UPPER GUIDE POST	TIGE DU GUIDE	1	\$17.19
158	1317021580	HANDWHEEL WITH HANDLE	MANIVELLE AVEC POIGNEE	1	\$45.83
159	1317021590	CAP SCREW	BOULON A TETE CYLINDRIQUE	1	\$2.70
160	1317021600	BUSHING	BAGUE	1	\$3.28
161	1317021610	SHOULDER BUSHING	BAGUE AVEC EPAULEMENT	1	\$4.31
162	1317021620	RD HD ALLEN SCREW	VIS A TETE RONDE (ALLEN)	4	\$2.13
163	1317021630	SPRING WASHER	RONDELLE A RESSORT	8	\$1.67
164	1317021640	GUIDE BRACKET	SUPPORT DU GUIDE	1	\$27.43
165	1317021650	WORM GEAR SHAFT	TIGE A ENGRENAGE SANS FIN	1	\$15.81
166	1317021660	FIXED PLATE	PLAQUE DE FIXATION	1	\$3.74
167	1317021670	GEAR	ENGRENAGE	1	\$15.81
168	1317021680	SHOULDER BOLT	BOULON AVEC EPAULEMENT	1	\$12.48
169	1317021690	GUIDE BRACKET COVER	COUVERCLE DU SUPPORT DU GUIDE	1	\$3.74
170	1317021700	RD HD ALLEN SCREW	VIS A TETE RONDE (ALLEN)	4	\$2.13
171	1317021710	COUNTERSUNK SCREW	VIS A TETE FRAISEE	3	\$1.67
172	1317021720	SET SCREW	VIS SANS TETE	1	\$1.67
174	1317021740	GUIDE BAR	BARRE DU GUIDE A ONGLETS	1	\$11.44
175	1317021750	GUIDE WASHER (T-SLOT)	RONDELLE GUIDE EN "T"	1	\$3.39
176	1317021760	POINTER	INDICATEUR	1	\$2.70
177	1317021770	NYLON WASHER	RONDELLE EN NYLON	1	\$2.01
178	1317021780	LOCK HANDLE	POIGNEE DE VERROUILLAGE	1	\$7.88
179	1317021790	MITER GAUGE BODY	CORPS DU GUIDE A ONGLETS	1	\$21.56
180	1317021800	STRAIGHT PIN	GOUPILLE DROITE	1	\$2.70
181	1317021810	COUNTERSUNK SCREW	VIS A TETE FRAISEE	1	\$2.24
182	1317021820	FLANGE HD SCREW	VIS A TETE BRIDEE	1	\$1.50
183	1317021830	OPEN END KEY (10-13)	CLE OUVERTE (10-13)	1	\$11.21
184	1317021840	8MM HEX. KEY	CLE HEXAGONAL 8MM	1	\$3.05
185	1317021850	5MM HEX. KEY	CLE HEXAGONAL 5MM	1	\$2.82
186	1317021860	BUSHING	BAGUE D'ESPACEMENT	1	\$4.08
187	1317021870	STEEL BALL	BILLE EN ACIER	2	\$3.16
188	1317021880	BLADE TENSION SCALE LABEL	ETIQUETTE D'ECHELLE DE TENSION	1	\$9.14
201	1317022010	FIXED BASE RAIL	BARRE DE FIXATION DU GUIDE	1	\$65.03
202	1317022020	ADJUST BASE	SOCLE D'AJUSTEMENT DU GUIDE	1	\$57.33
203	1317022030	FIXED SHAFT	TIGE DE FIXATION	2	\$5.00
204	1317022040	LOCKING CLAMP SHOE SHAFT	TIGE DE VERROUILLAGE DU SABOT	1	\$6.61
205	1317022050	SPRING BLADE	LAME A RESSORT	1	\$3.74

Pricing subject to change without prior notice. / Prix sujet à changement sans préavis.



® Parts Pricing List / Liste de Prix des Pièces **KC-1702FXR**

Diag.	Order # Com.	English Description	Description Française	Qty./Qté.	Price/Prix
206	1317022060	FENCE PLATE	PLAQUE DU GUIDE	1	\$4.54
207	1317022070	TUBULAR FENCE	GUIDE TUBULAIRE	1	\$55.03
208	1317022080	FENCE SLEEVE	MANCHON DU GUIDE	4	\$3.28
209	1317022090	CLAMPING SHOE HANDLE	POIGNEE DU SABOT DU VERR.	1	\$10.29
210	1317022100	ADJUSTABLE FOOT	PIED AJUSTABLE	1	\$3.97
211	1317022110	MAGNIFYING GLASS	LOUPE	1	\$5.35
212	1317022120	CAP SCREW	BOULON A TETE CYLINDRIQUE	4	\$3.16
213	1317022130	CLAMP SHOE	SABOT DE VERROUILLAGE	1	\$9.03
214	1317022140	SQUARE TUBE (REAR)	TUBULAIRE CARRE (ARRIERE)	1	\$16.85
215	1317022150	HEX. NUT	ECROU HEXAGONAL	1	\$1.61
216	1317022160	FLANGE HD SCREW	VIS A TETE BRIDEE	2	\$1.67
217	1317022170	RAIL END PLATE	PLAQUE DE BOUT DE LA BARRE	2	\$5.00
218	1317022180	FENCE END PLATE	PLAQUE DE BOUT DU GUIDE	2	\$3.16
219	1317022190	PLASTIC END CAP	CAPUCHON DU BOUT EN PLASTIQUE	2	\$2.70
220	1317022200	TAPPING SCREW	VIS AUTOTARAUDEUSE	4	\$1.67
221	1317022210	MEASURING TAPE	RUBAN A MESURER	1	\$7.88
222	1317022220	HEX. NUT	ECROU HEXAGONAL	2	\$1.61
222-2	1317022222	RIP FENCE ASS'Y (ONLY)	GUIDE A REFENDRE ASS. (SEUL.)	1	\$149.10
222-3	1317022223	COMP. RIP FENCE SYSTEM W/RAIL	SYS. DE GUIDE A REFENDRE COMP.	1	\$194.35
223	1317022230	SPRING WASHER	RONDELLE A RESSORT	2	\$1.55
224	1317022240	CAP SCREW	BOULON A TETE CYLINDRIQUE	2	\$2.24
225	1317022250	HEX. BOLT	BOULON HEXAGONAL	2	\$1.78
226	1317022260	FLANGE HD SCREW	VIS A TETE BRIDEE	1	\$1.55
227	1317022270	WASHER	RONDELLE	1	\$1.67
250	1317022500	LARGER TUBULAR FENCE	GRAND GUIDE TUBULAIRE	1	\$66.64
251	1317022510	LARGER FENCE END PLATE	GRANDE PLAQUE DU BOUT DE GUIDE	2	\$3.39
252	1317022520	CAP SCREW	BOULON A TETE CYLINDRIQUE	4	\$3.62
253	1317022530	FENCE SLEEVE	MANCHON DU GUIDE	4	\$3.74
254	1317022540	RESAW GUIDE POST	GUIDE A DEDOUBLEMENT	1	\$4.54
255	1317022550	WASHER	RONDELLE	1	\$1.67
256	1317022560	LOCK HANDLE	POIGNEE DE VERROUILLAGE	1	\$10.29
	131702MBIL	BILINGUAL MANUAL KC-1702FXR	MANUEL BILINGUE KC-1702FXR	1	\$15.00